



LARGE WATER MANAGEMENT SYSTEM

LWMS

Smart Outlet Management System

An AI & IoT-powered platform for large-scale irrigation and water infrastructure automation.



LWMS

Introduction



MOBITECH OMS IN BRIEF

OMS(Outlet Management System) is an AI- and IoT-powered automation platform built for dams, reservoirs, and large irrigation networks. It enables centralized control of multiple tanks and sumps, each serving 50+ farms, ensuring efficient distribution, minimal wastage, and sustainable water use. Designed for scale and reliability, LWMS delivers intelligent, low-effort, high-control water management.

AN OVERVIEW

Efficient water management at a large scale has become essential for sustaining agriculture, optimizing resources, and improving operational control. Traditional irrigation systems are limited to individual farms, but modern water infrastructure demands integrated, data-driven automation.

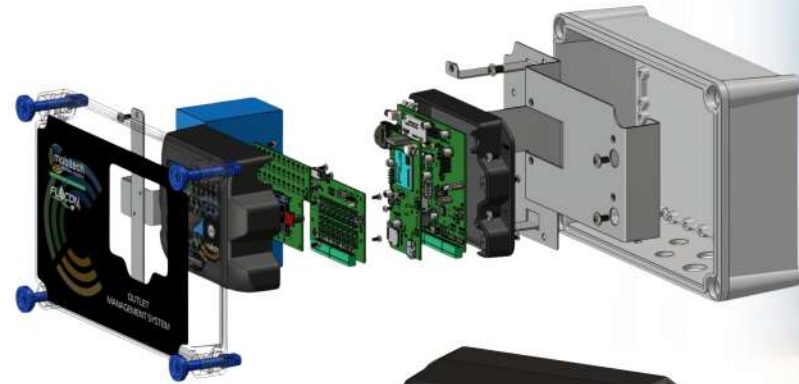
Large reservoirs, sub-tanks, and distribution sumps must work in synchronization to ensure reliable water delivery to vast command areas. OMS addresses this challenge by enabling centralized monitoring, automated scheduling, and intelligent control across entire irrigation ecosystems — transforming how water is managed from source to soil.

THE POWER BEHIND OMS

- ✓ 4G LTE Support.
- ✓ Bluetooth and Wifi Support
- ✓ Mobile Application for Android & iOS. Web app for Laptop / Desktop
- ✓ In-built GPS
- ✓ High efficiency irrigation controllers, comes with a Dust & water resistant
- ✓ Easy Support for Sensor Integration

LWMS

Products - OMS Gateway



OMS Gateway

The OMS Gateway is a high-performance communication link designed for large-scale industrial connectivity. Acts as the central brain connecting RTUs & AMS units. It offers robust control for up to 20 RTU Units and 10 AMS Units, providing a powerful signal coverage that extends up to a 2km radius.

KEY FEATURES

- Battery Operated with solar panel, Inbuilt BMS and battery Fuel Gauge.
- GSM Communication for server.
- GPS for location and time.
- BLE for local configuration (Ease Installation and Testing).
- LoRA Communication.
- LED Indication to check the RTU Communication (Green – Ok / Red – Communication error)
- OLED to display flow value and valve ON/OFF status indication.
- LED indication for battery status(i.e., Charging, Error and Low Battery cutoff)
- Water Flow Control & Alert.
- Water Pressure Monitor & Alert.
- Timer mode: Scheduled and Manual.
- IP rated Waterproof Enclosure.



OMS Gateway



Outlet Management System



Bluetooth



LED Indicators



OLED Display



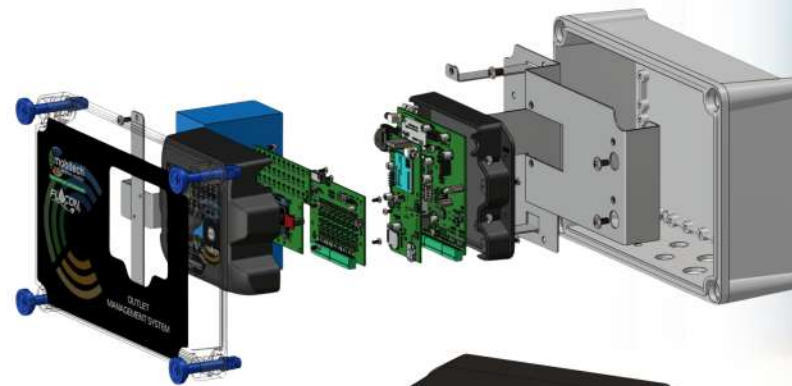
Integrated GPS



Battery Operated

LWMS

Products - OMS RTU



OMS RTU

The OMS RTU is a rugged field controller designed for real-time data acquisition and remote automation. It links seamlessly with the OMS Gateway to provide reliable site monitoring over long distances.

KEY FEATURES

- Battery Operated with solar panel, Inbuilt BMS, and battery Fuel Gauge.
- GPS for location and time.
- BLE for local configuration (Ease Installation and Testing).
- OLED to display flow value and valve ON/OFF status indication.
- LED indication for battery status(i.e., Charging, Error and Low Battery cutoff)
- Water Flow Control & Alert.
- Water Pressure Monitor & Alert.
- Timer mode: Scheduled and Manual.
- IP rated Waterproof Enclosure.
- Interfacing options: Pressure sensor – **3 Nos**, Water meter – **2 Nos**, Door Status Indication – **2 Nos**, Flow control valve – **2 Nos** & Latch Solenoid valve – **8 Nos**



OMS RTU



Outlet Management System



Bluetooth



LED Indicators



Integrated GPS



Battery Operated

LWMS

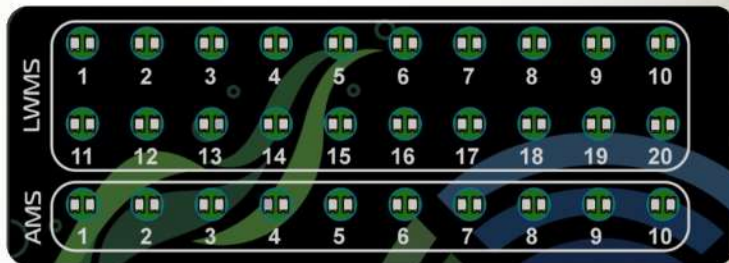
Visual View

Command Area Coverage

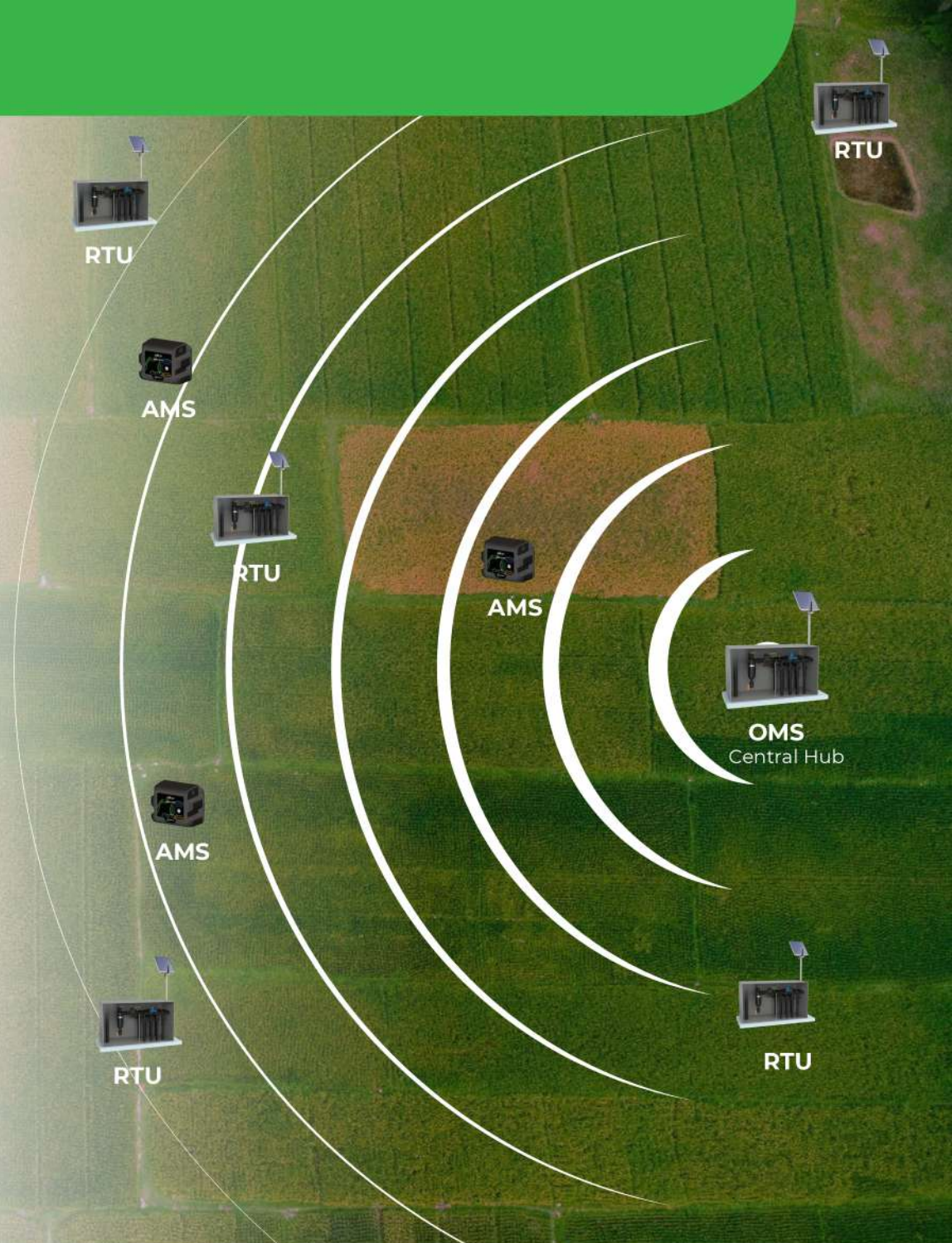
2Kms

Ideal for cluster tank systems and large command area irrigation.

A Single OMS(Outlet Management System) can capable to control of **20 OMS RTU & 10 AMS**, from a range upto 2kms



OMS Gateway - LED Indication in Controller



LWMS

Key Features

Real-time Water Flow Monitoring

Continuously measures and displays water movement across every line, tank, and outlet. You get instant clarity on usage, pressure, and distribution, helping you detect inefficiencies early and maintain full control over your entire water network.

IoT-Based Remote Access

The entire LWMS stays connected to your mobile or web dashboard. You can start or stop motors, open or close valves, check tank levels, view alerts, and run schedules without being physically present anywhere near the site.

AI-Driven Irrigation Scheduling

AI studies soil needs, crop stages, climate patterns, and water availability to plan irrigation intelligently. This helps eliminate guesswork, reduce waste, and ensure your farm receives exactly what it needs for optimum health.

Smart Motor and Valve Control

Automates pumps and valves with precise timing, pressure logic, and safety rules. This ensures consistent water delivery, avoids overloading the system, and keeps operations smooth even across large, multi-zone layouts.

Large-Area Precision Coverage

Built for big landscapes, the system maintains uniform water delivery across multiple farms, fields, tanks, or pump houses. Even when distances are high, it balances flow and pressure for consistent performance.

Automated Alerts and Fault Detection

The system actively watches for issues like leaks, motor dry runs, abnormal pressure, pipe bursts, or communication failures. You receive instant alerts so maintenance can be done quickly and downtime stays minimal.

Cloud Dashboards for Insights

All data is stored and displayed in clean, intuitive dashboards. You can view trends, compare usage over time, analyze performance, and take decisions that reduce operational costs and improve long-term reliability.

Energy-Efficient Pump Management

Intelligently manages pump run time, load, and priority to cut electricity consumption. By operating only when required and preventing unnecessary cycles, it saves significant energy while keeping water flow consistent.

LWMS

Hardware



WHAT'S INSIDE

- 1 Outlet Management Controller - 1Nos
- 2 Water Meter - 2Nos
- 3 Flow Control Valve - 2Nos
- 4 Latch Solenoid Valve - 8Nos
- 5 Pressure Sensor - 3Nos

*Quantity may Vary depend upon your customization

- Industrial-grade components suitable for continuous outdoor operation
- Valve, sensor, and meter quantities configurable per project

LWMS

Applications

Dam Automation & Reservoir Management

Automates gate operations, monitors inflow/outflow, and optimizes water release based on demand and storage conditions.

Cluster Tank Irrigation Projects

Coordinates multiple interconnected tanks supplying water to large command areas and hundreds of farms.

Sump & Pump Station Control

Manages sump-level automation with intelligent pump scheduling, flow monitoring, and energy-efficient operations.

Canal & Distribution Network Automation

Enables remote valve control, real-time flow tracking, and leak detection across long canal systems.

Government & Smart Water Boards

Ideal for large-scale deployments by irrigation departments and water authorities for policy-driven water distribution.

Agro-Industrial Water Systems

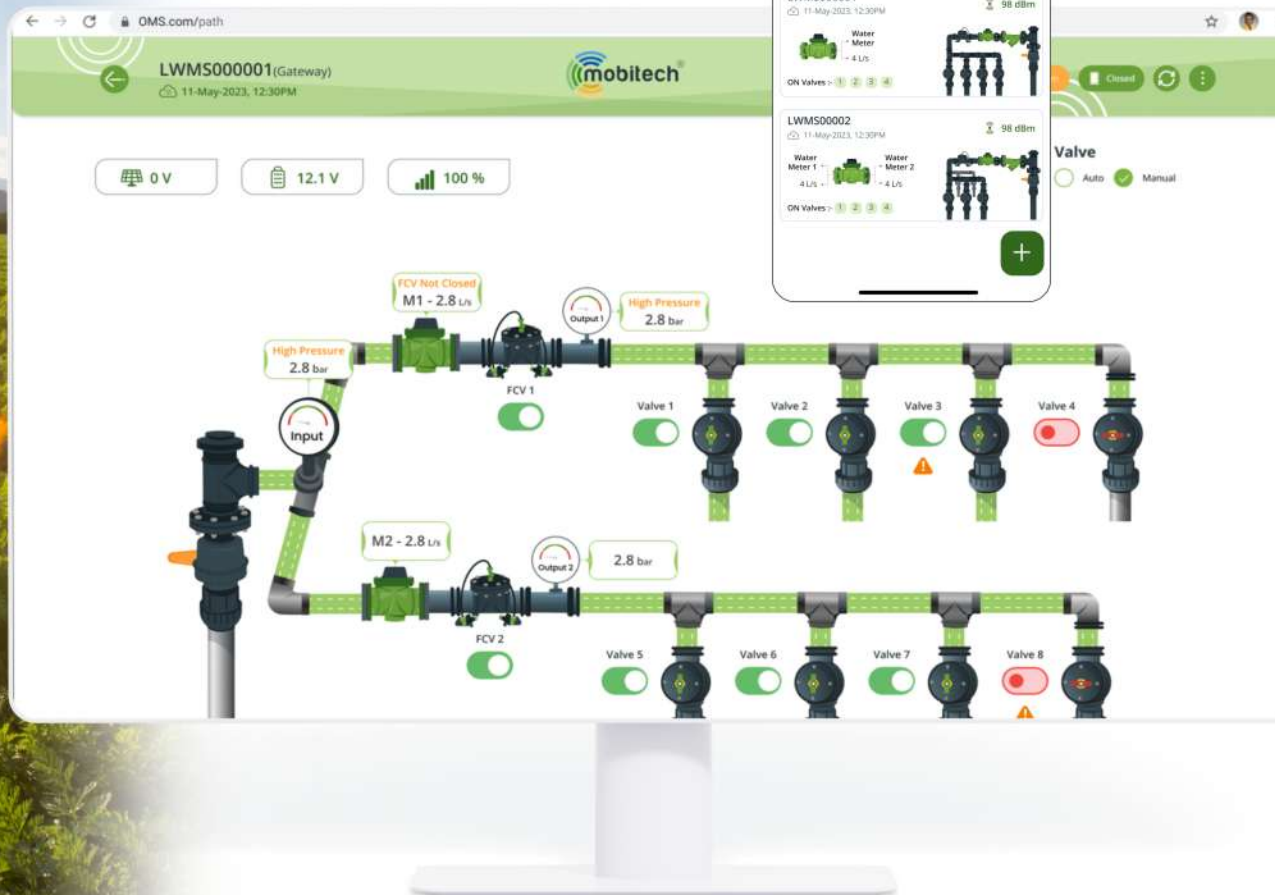
Supports estates, agro-industrial clusters, and cooperative farms requiring centralized irrigation automation.

Rural & Peri-Urban Irrigation Projects

Extends reliable and monitored water supply to remote command areas with minimal manual intervention.

LWMS

User Interface





ABOUT MOBITECH

Mobitech Wireless Solution Pvt. Ltd., established in 2010, delivers advanced, sustainable irrigation and digital farming technologies. We provide end-to-end solutions including precision irrigation, greenhouses, community irrigation, and IoT-based sensor and weather-driven agriculture services. Headquartered in Perundurai, Tamil Nadu, with branches across South India and Maharashtra, our 85+ skilled professionals support farmers with expert agronomic design, reliable service, and innovative tools that enhance productivity and profitability.

OUR OFFICES

Tamilnadu

1/4, Vengamedu, Erode Road, Perundurai,
Tamilnadu - 638052, INDIA.

Karnataka

K-27, 171, Ramavilas Rd, KR Mohalla,
Chamrajpura, Mysuru, Karnataka 570004

Andhra Pradesh

Gooty Rd, opp. Muthyal Reddy Milk Dairy,
Anantapur, Andhra Pradesh 515001

Madhya Pradesh

T103, Gunjan Apartment, preconco
Nagar, Chanakypuri, Indore, 452009

Maharashtra - Nashik

ME 14, Sundarban Colony, CIDCO, Indira
Nagar Nashik 422009, Maharashtra, India

Maharashtra - Pune

36/1/3/2, Near Khedekar Industry,
Narhe, Pune. State- Maharashtra. INDIA.

Gujarat

Plot No 31, Survey No-275/276, Shapar-
Veraval. Rajkot - 360024, Gujarat, India

Haryana

Plot No. 01-02, HSIIDC, Narwana-126116
District Jin, Haryana.

Malaysia

No. 1-5, Perdana Avenue, Jln Kajang
Perdana 3/1, 43000 Kajang, Selangor

REACH US AT



projects@mobitechwireless.in
raja@mobitechwireless.in



+91 95669 11722
+91 98427 31759