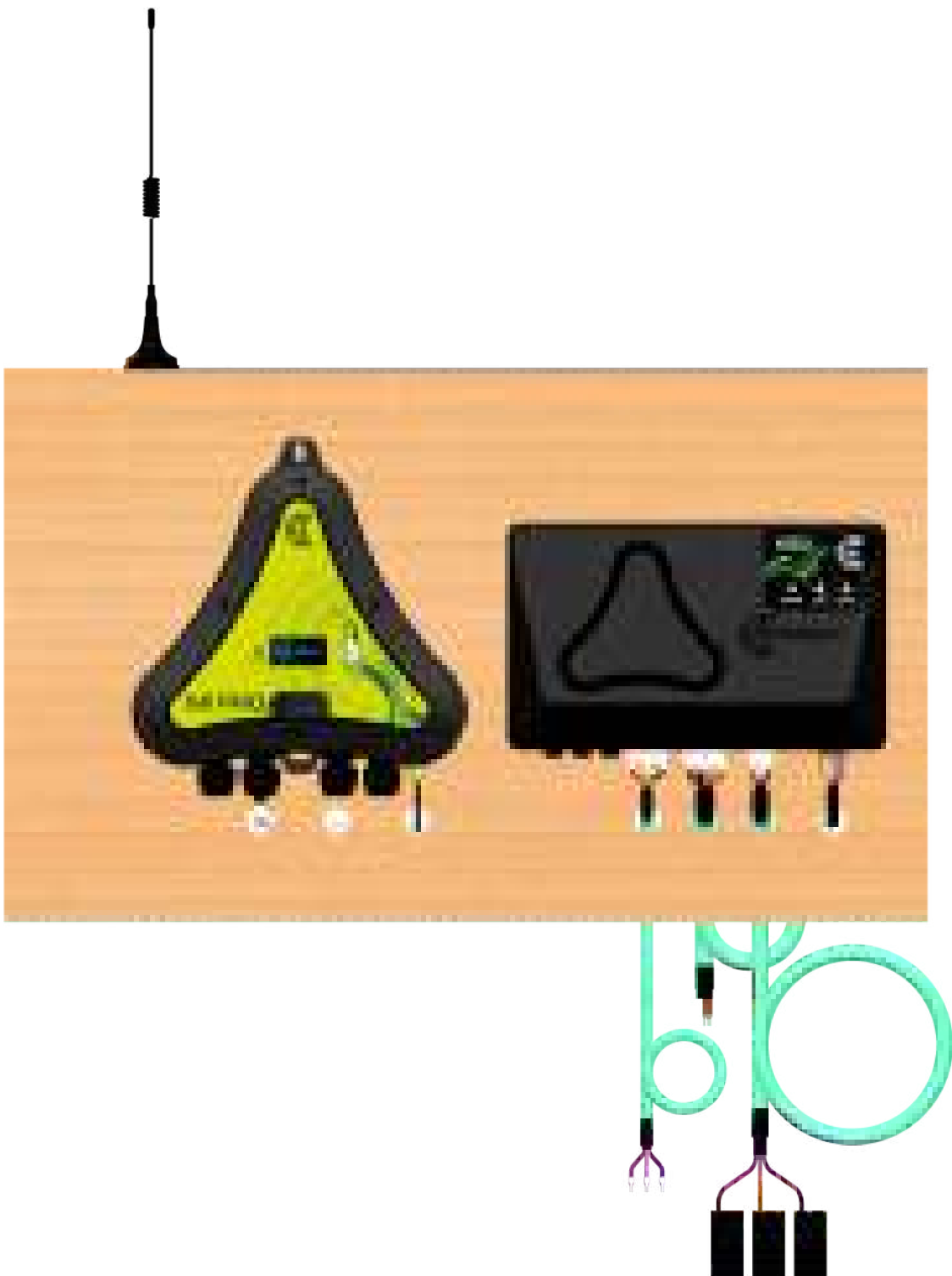


Dcon_Ag_M1PRO (Motor Control Unit) Field Installation Document





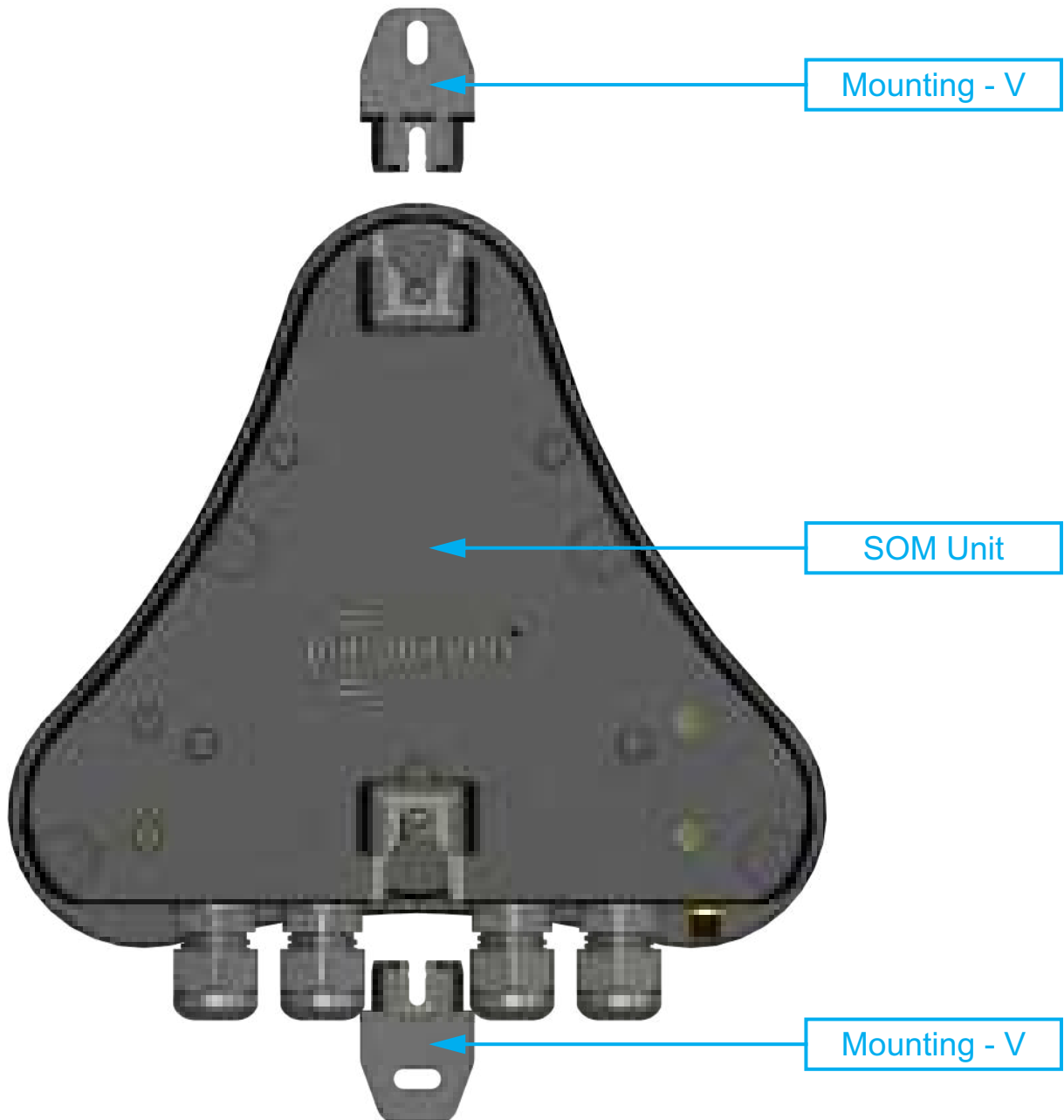
Technical Specification:

- Product Name : MIPRO
- Input Voltage 3 Phase : 360V - 450V AC
- Input voltage 1 Phase : 180V - 240V AC
- Default CT Coil : 50A
- External CT Coil : 500A
- Battery : 3.7V / 5.2Ah
- Backup Time : 8 Hours
- Communication : Blue tooth 5.0
- Compatibility : Suitable for all types of Starters and Panels.
- GPS : Inbuilt
- Fuse Protection for each Phase

Assembly Procedure:

Mounting Assembly:

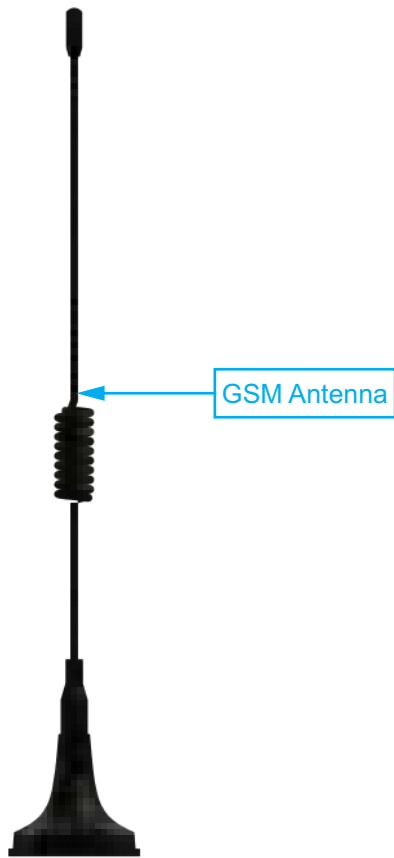
- Place V slot mounting at top side.
- Place H slot mounting at bottom side.





Antenna Assembly:

- Place the GSM antenna on wall.
- Connect antenna connector to SMA connector in M1PRO unit.



GSM Antenna

Wall Mount:

- Mount M1PRO unit with screw on pole.



Mounting Screw

M1PRO Unit

Mounting Screw

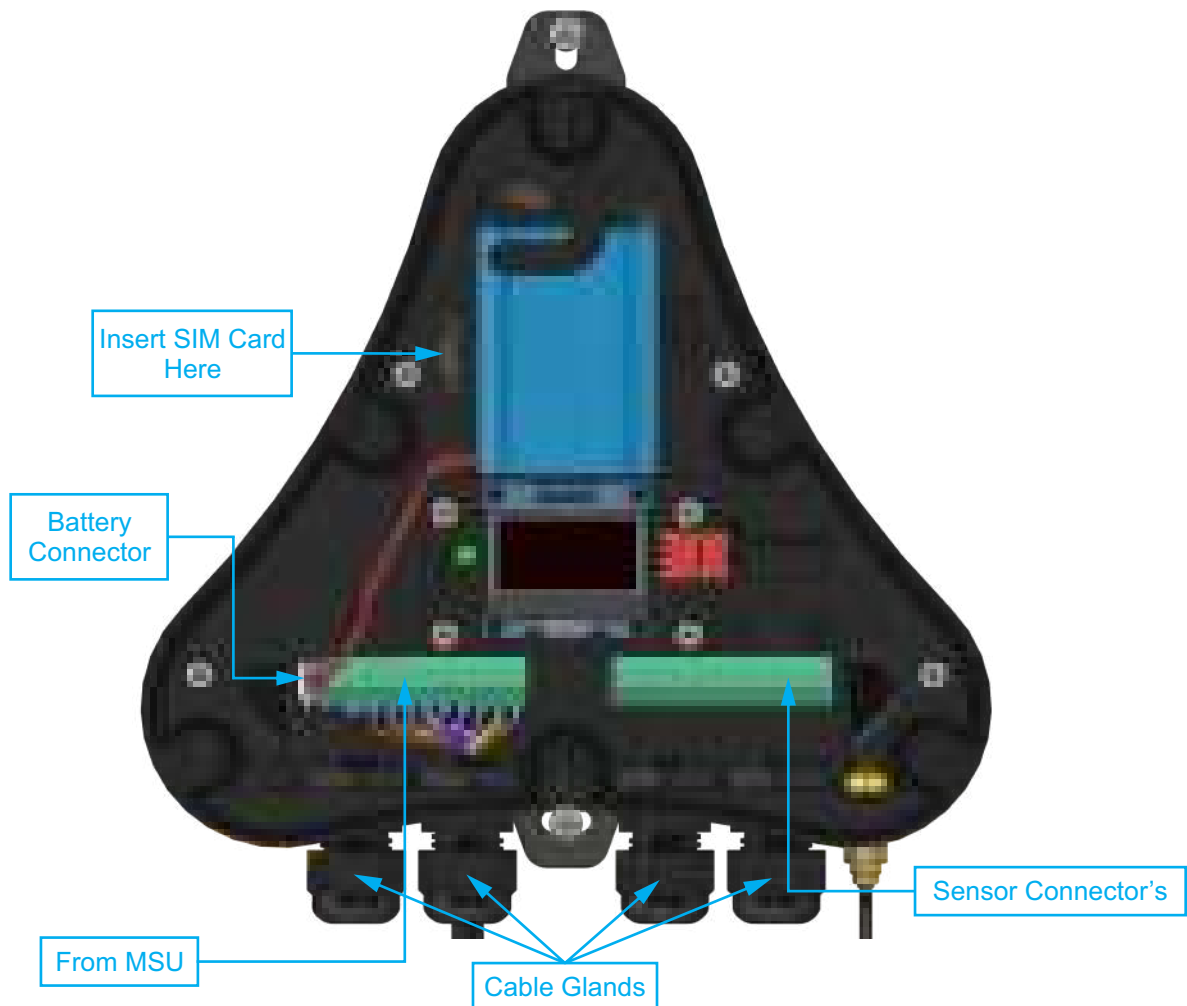


- Mount MSU unit with screw on wall using marking template given with unit.



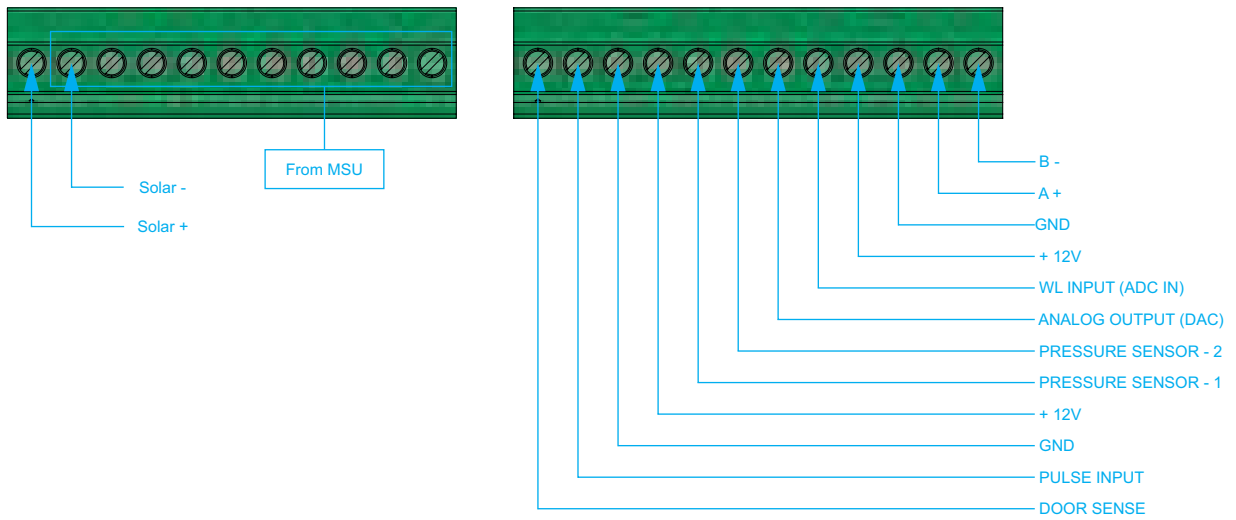
Wiring Drawing:

- Open top cover.
- Open cable gland 2, insert sensor cable's in to cable gland 2 and connect cable as shown in wiring diagram.
- Connect Battery Connector as shown in picture.
- Check all connections and ensure tight of cable gland before closing top cover.





Connector Detail:



MSU Connector Detail:



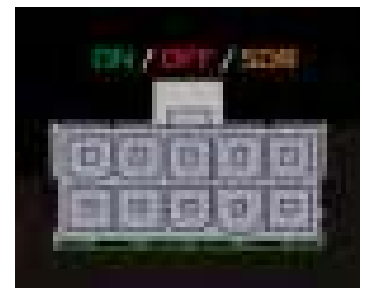
Fuse:



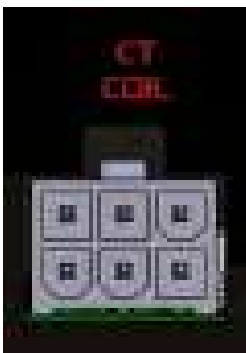
Power Input:



9-Pin Connector:



CT Coil:



Phase Preventer:

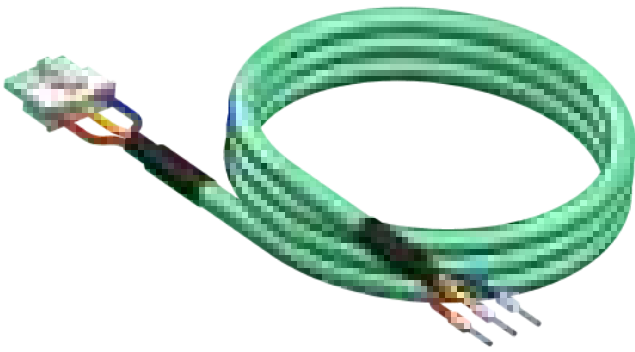


10-Pin Connector:





3 - Core Cable:



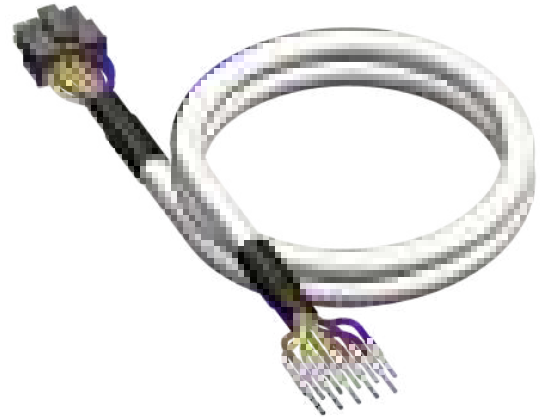
9 - Core Cable:



CT Coil 6 - Core Cable:



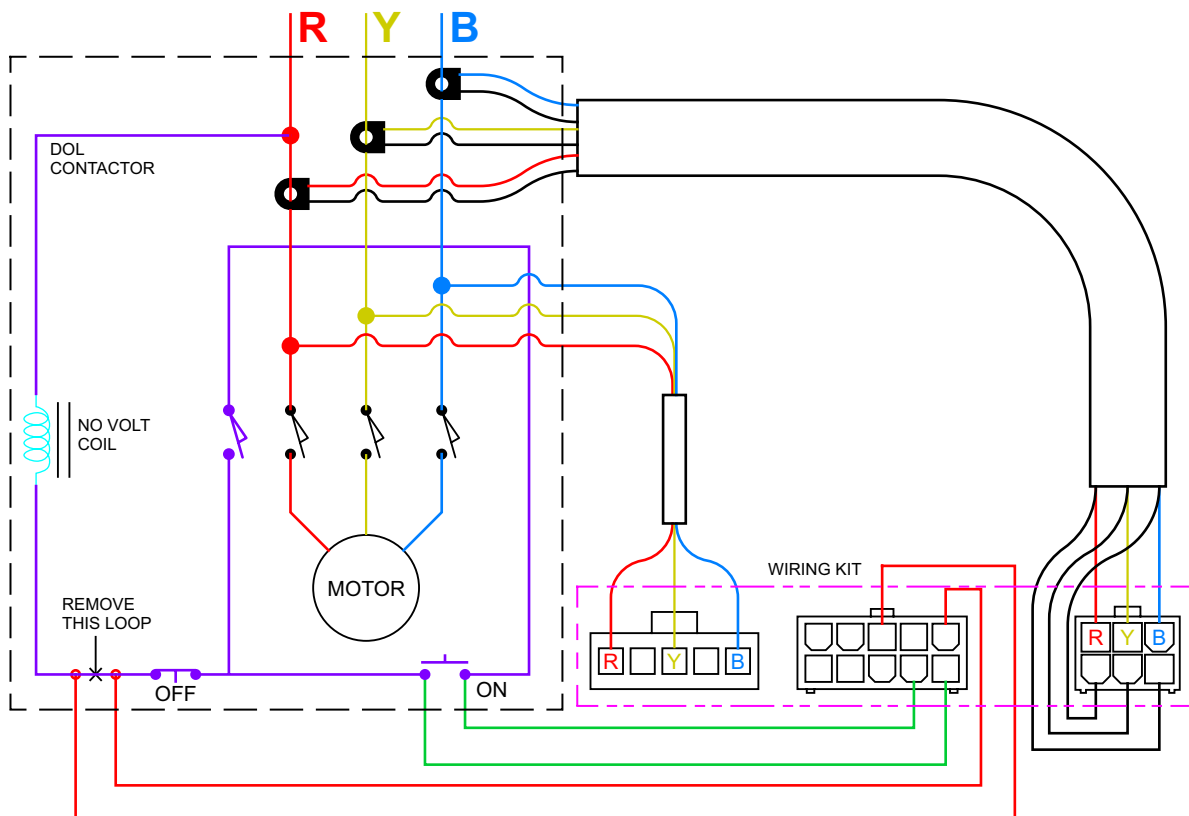
10 - Core Cable:



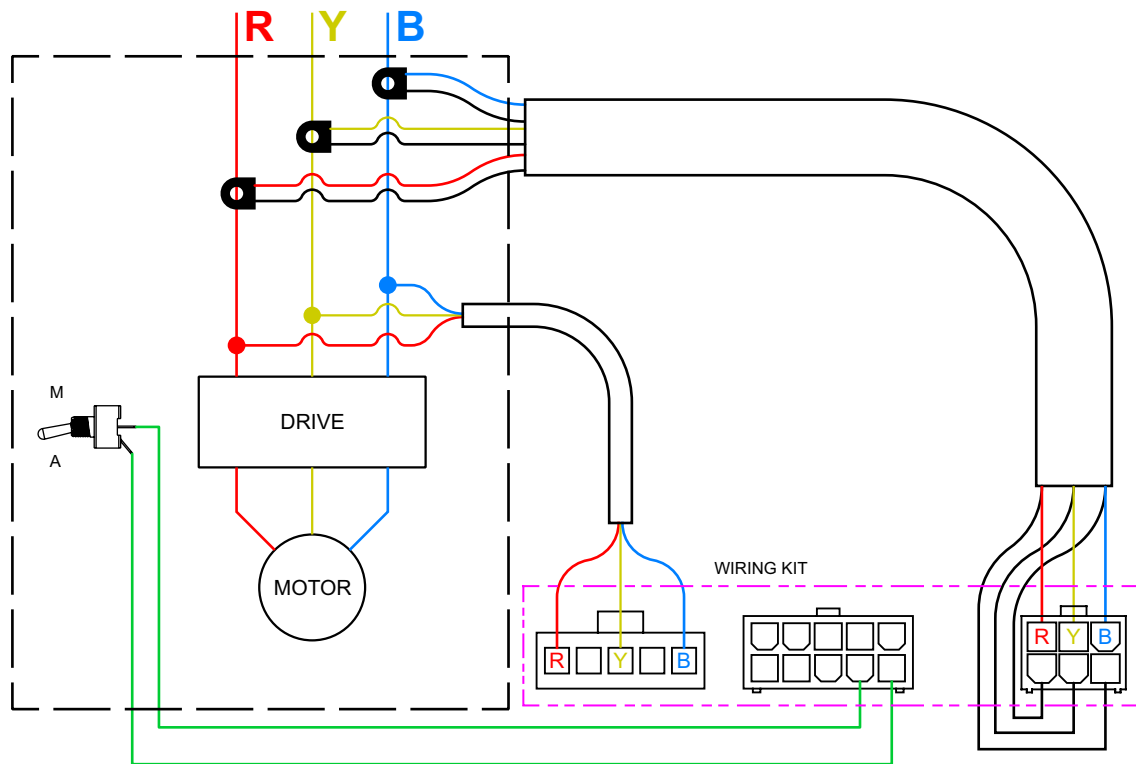
STARTER WIRING CONNECTIONS:

- Wiring for Motor starter with MSU & M1PRO units.

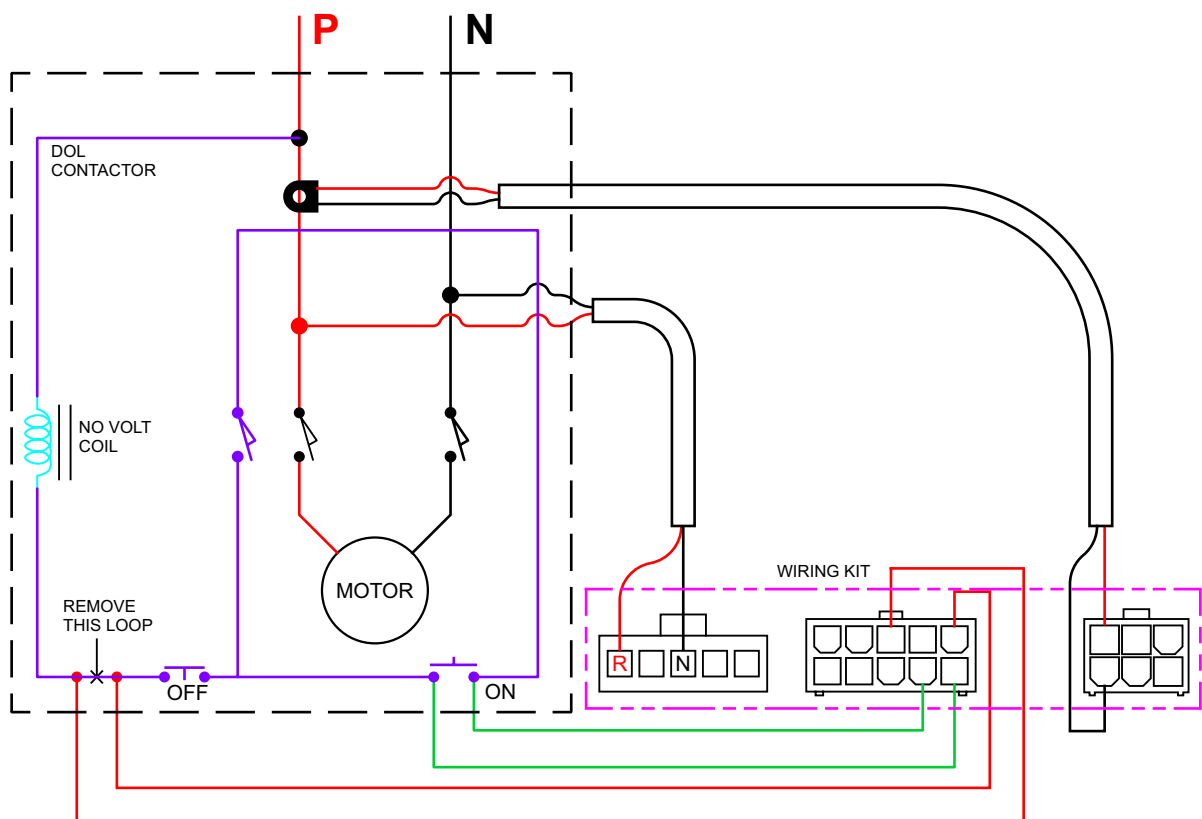
CONFIGURATION STEPS FOR DIRECT ONLINE (DOL) STARTER



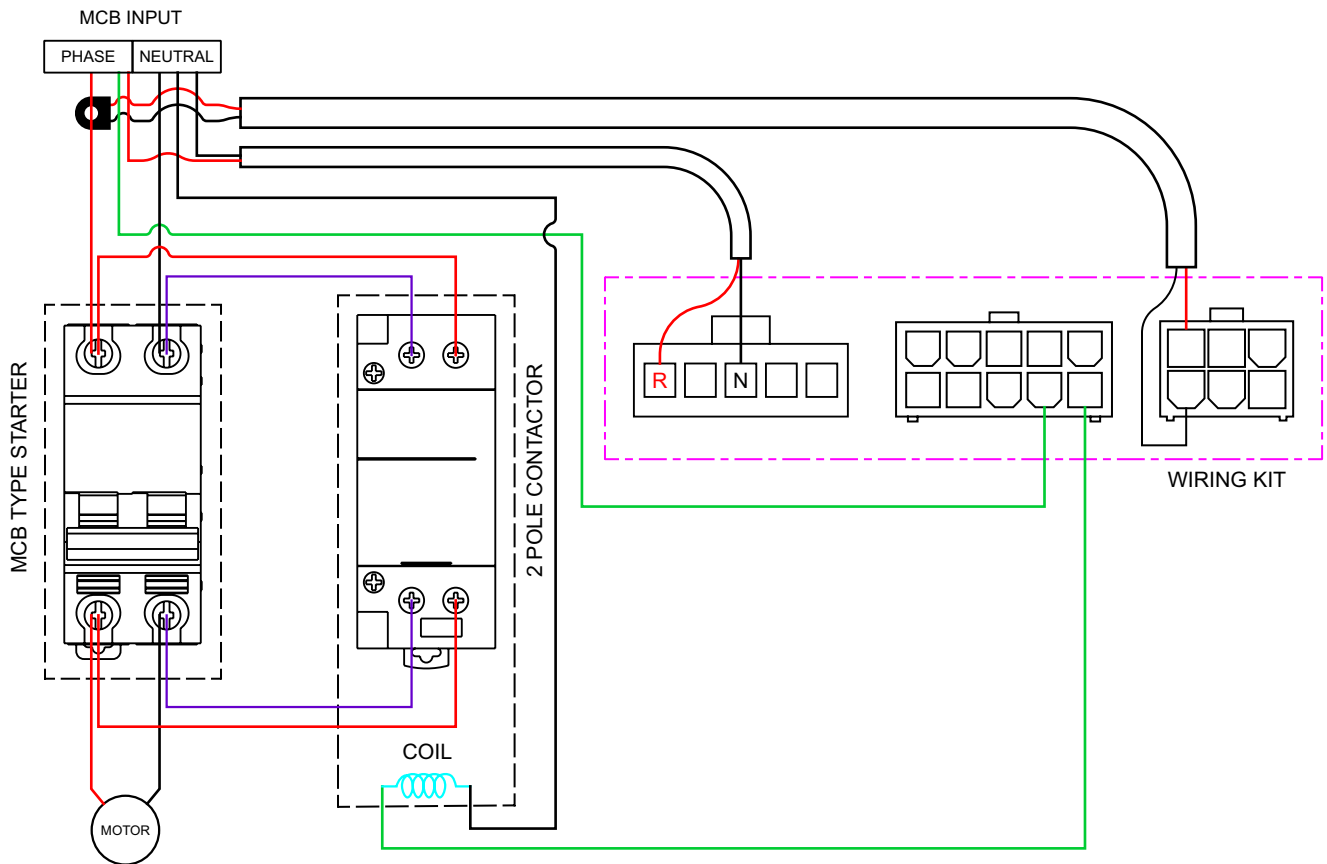
CONFIGURATION STEPS FOR DRIVE CONTROL



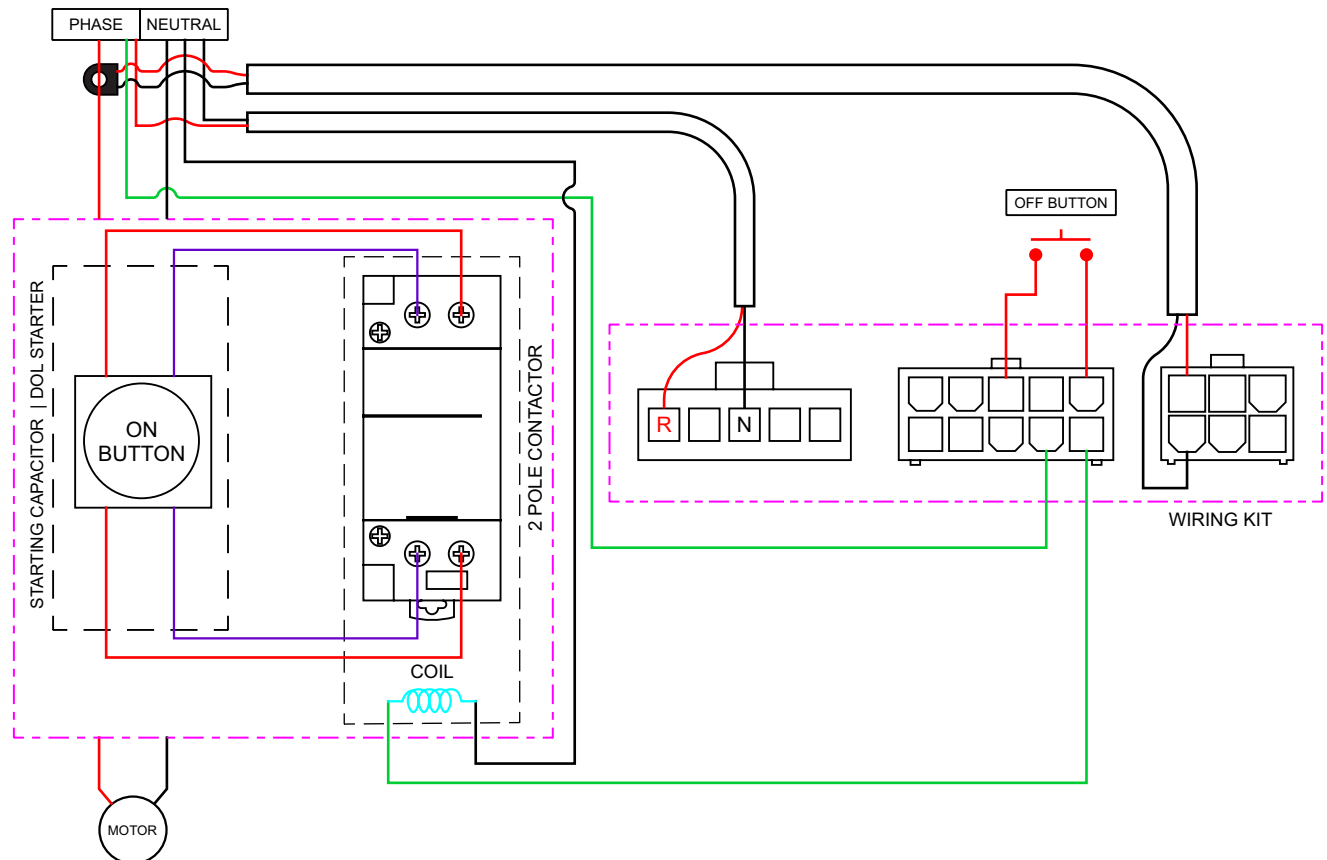
CONFIGURATION STEPS FOR SINGLE PHASE DOL TYPE MOTOR STARTER (Without starting condenser)



CONFIGURATION STEPS FOR SINGLE PHASE MCB TYPE MOTOR STARTER

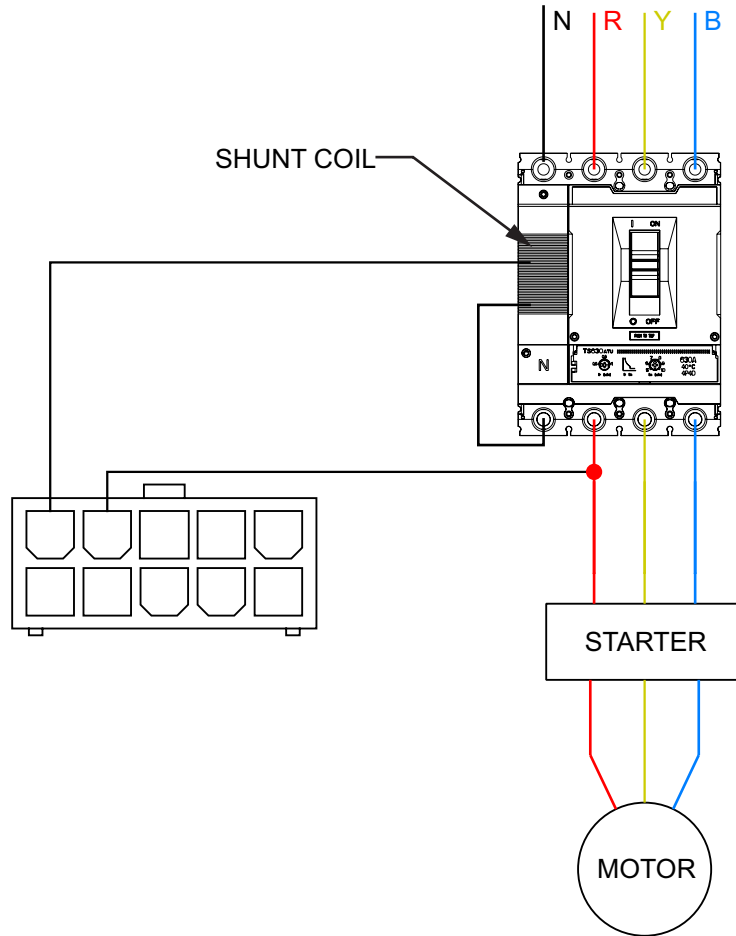


CONFIGURATION STEPS FOR SINGLE PHASE DOL TYPE MOTOR STARTER

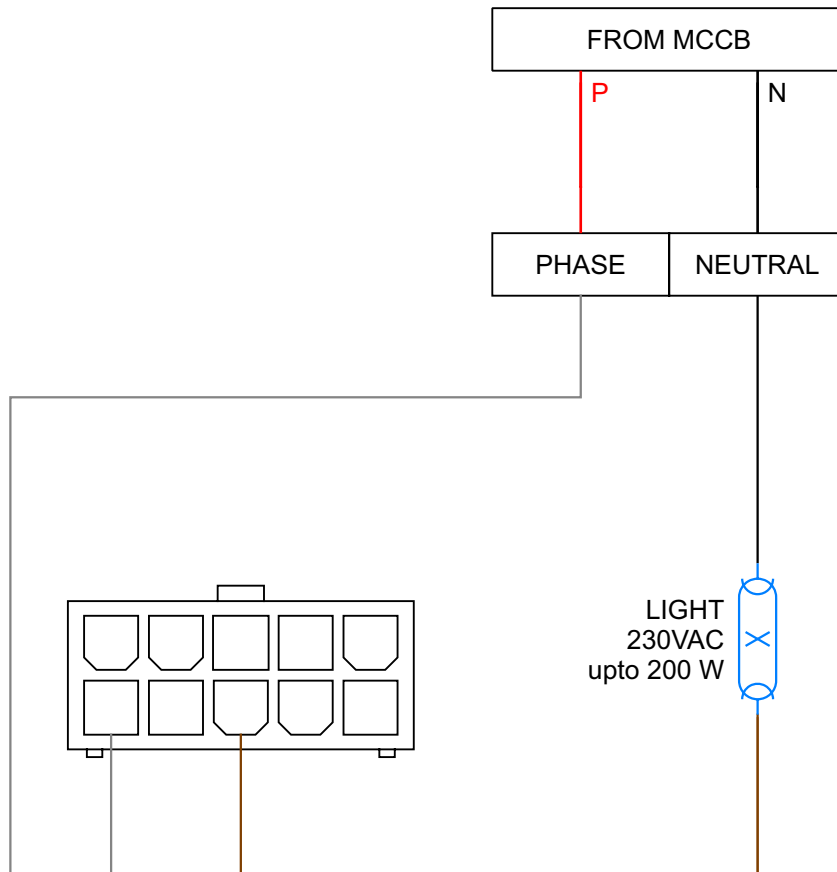




CONFIGURATION STEPS FOR MCCB CONNECTION



CONFIGURATION STEPS FOR STARTER ROOM LIGHT BULB CONNECTION





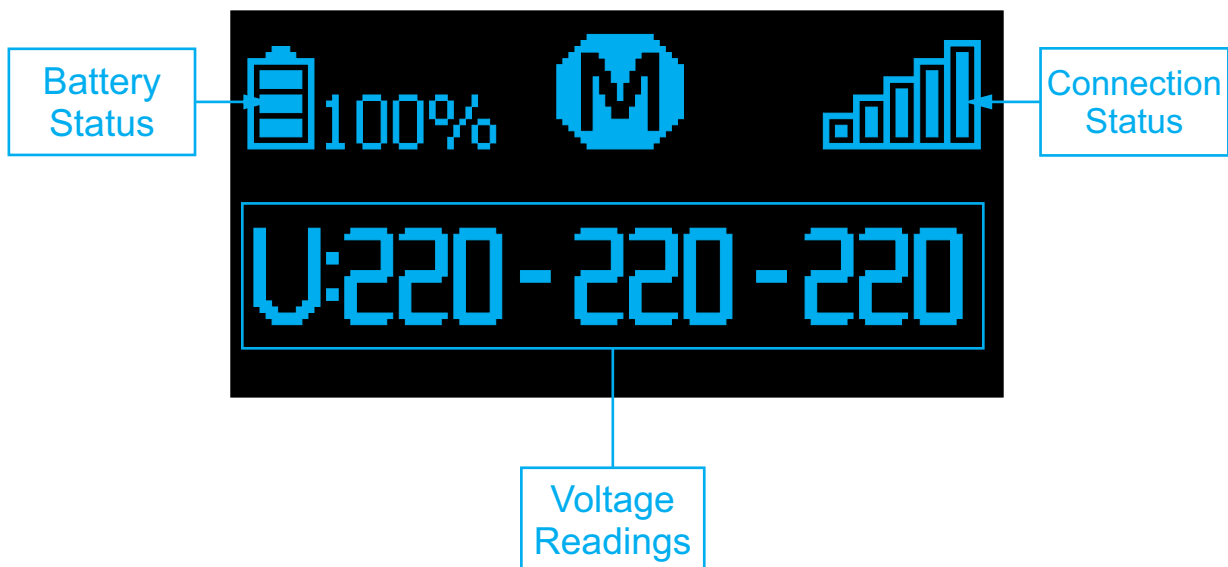
Configuration:

- After finishing wiring, touch the touch sensor, it will wake-up display.
- Long touch (3sec) to connect Blue tooth for configuration.



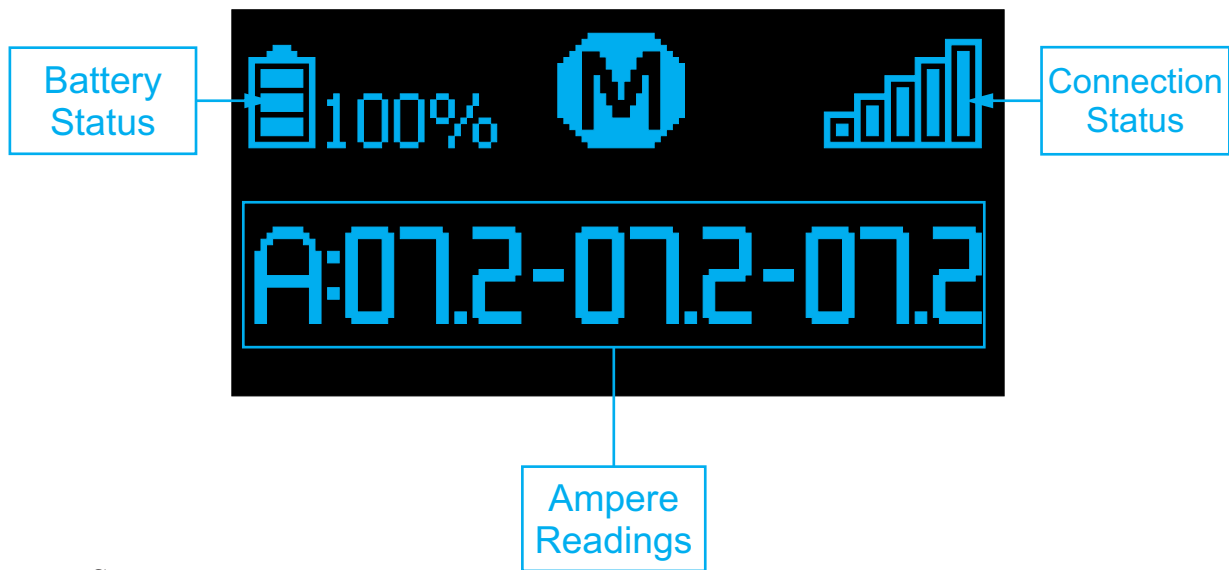
Display Screens:

Display - 1:





Display - 2:

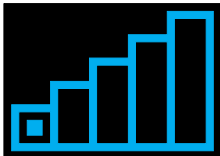


Battery Status:



- It shows Internal Battery Percentage.

Connectivity:



- It shows Signal Strength.